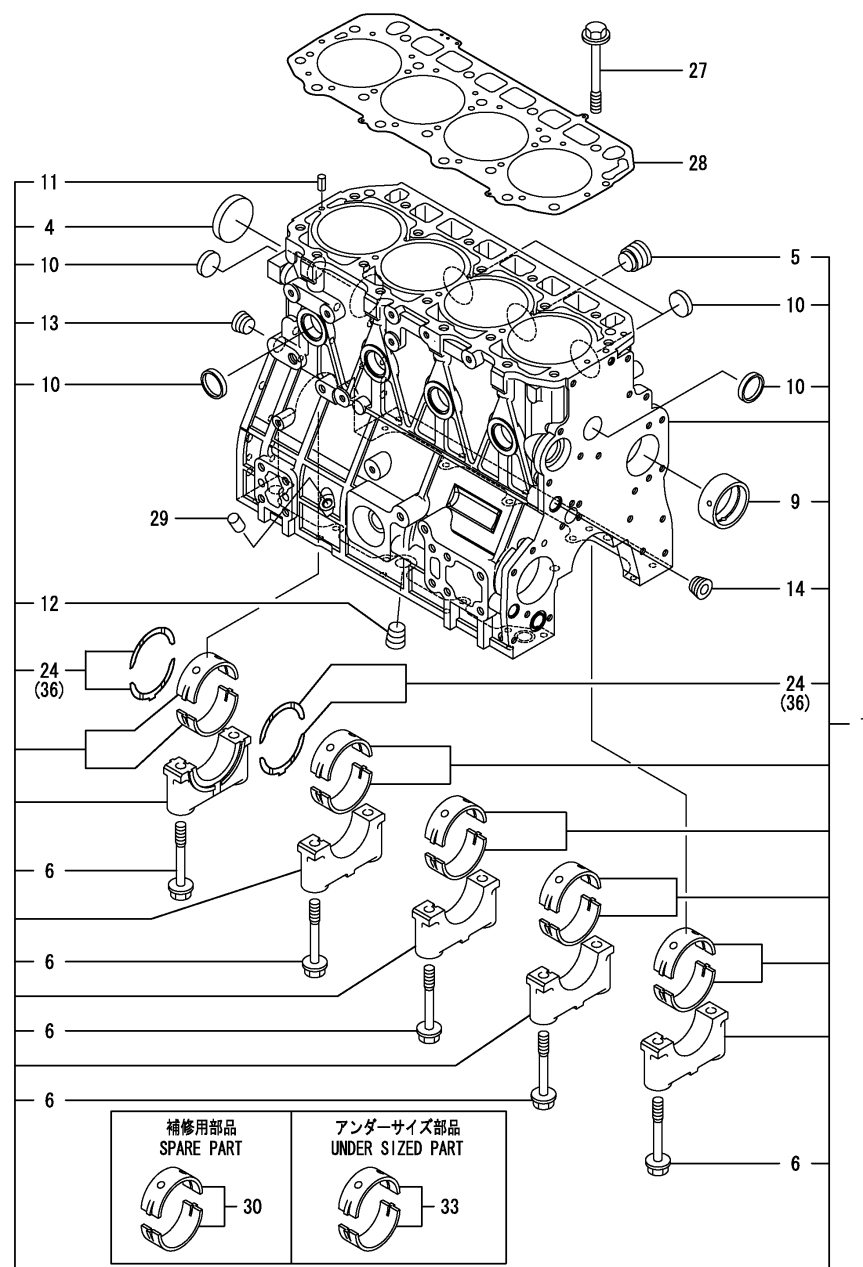


Fig.1.CYLINDER BLOCK

(A)=4TNV98-AVHBW
(B)=4TNV98-AVHBW1
(C)=(D)=
(E)=
(F)=

No.	Lev.	Parts No.	Description	Q'TY						
				(A)	(B)	(C)	(D)	(E)	(F)	
1	1	729927-01560	BLOCK ASSY, CYLINDER	1	1					
4	2	129900-01250	PLUG, 55	1	1					
5	2	171051-01921	PLUG, NPTF1	1	1					
6	2	129900-02020	BOLT, METAL CAP	10	10					
9	2	129900-02410	BUSH, CAMSHAFT	1	1					
10	2	27241-300000	PLUG 30	8	8					
11	2	22351-060012	PIN, SPRING 6.0X12	2	2					
12	2	23876-030000	PLUG, R03	1	1					
13	2	23876-030000	PLUG, R03	1	1					
14	2	23876-030000	PLUG, R03	1	1					
24	2	129900-02931	BEARING, THRUST	2	2					
27	1	129900-01200	BOLT, HEAD	18	18					
28	1	129907-01331	GASKET, HEAD	1	1					
29	1	119309-01810	PLUG	1	1					
30	1	729900-02801	BEARING, MAIN	5	5					
33	1	129900-02341	BEARING, 0.25 US	5	5					
36	1	129900-02941	BEARING, THRUST 0.25	2	2					

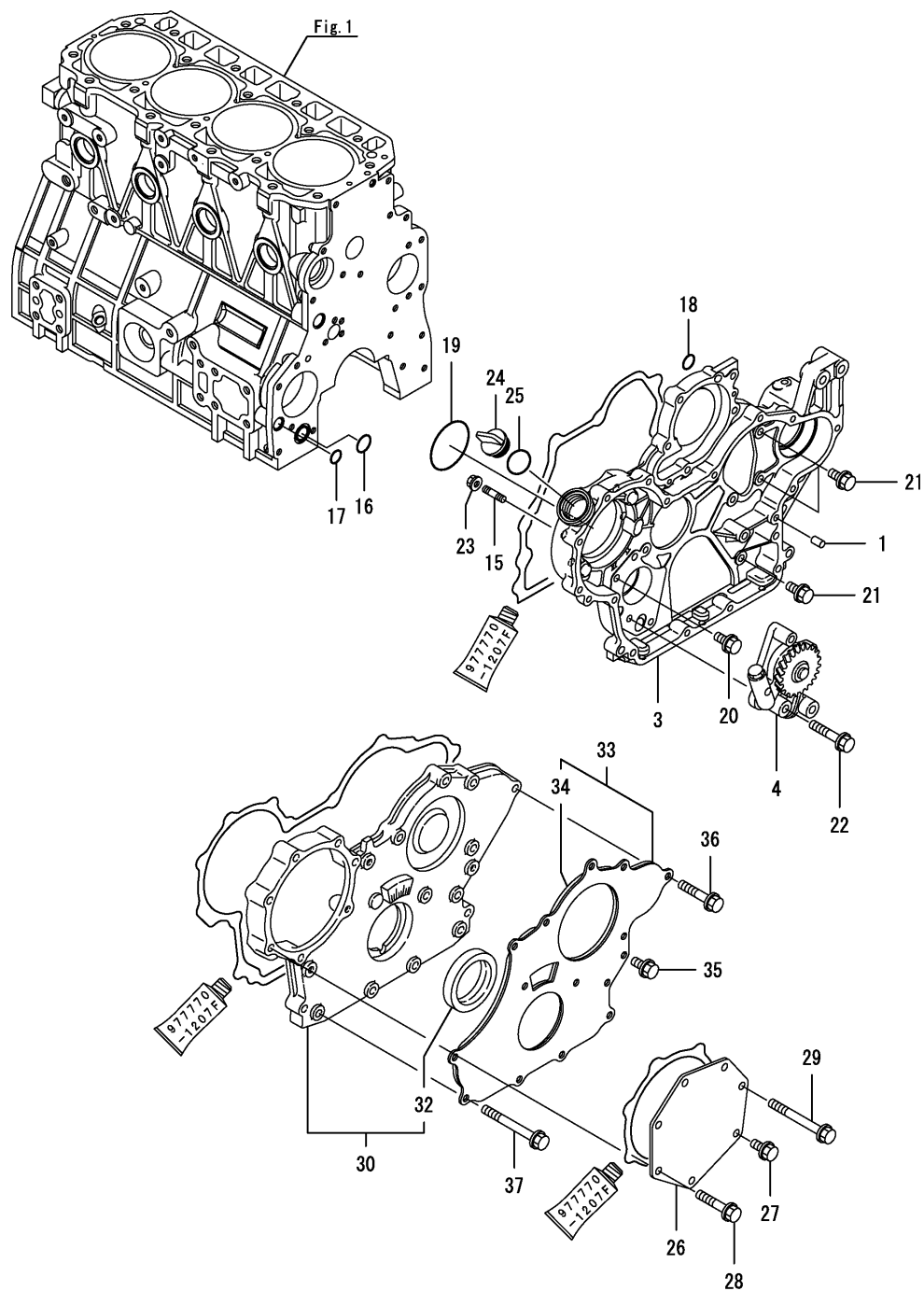
Remarks

(1) Spare parts.

(2) Under-sized (U.S.=0.25) parts.

(3) Over-sized (O.S.=0.25) parts.

Fig.2.GEAR HOUSING

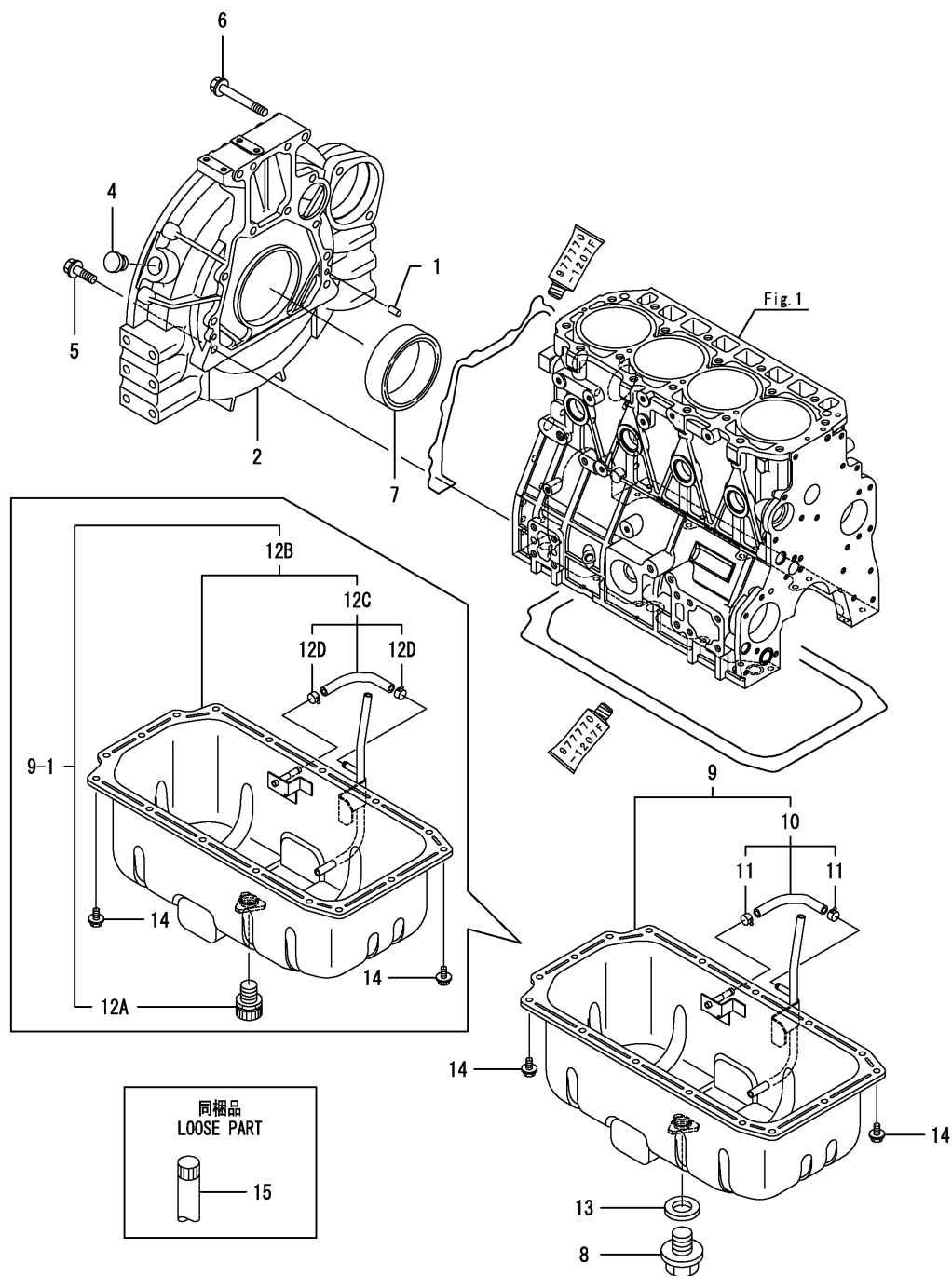


(A)=4TNV98-AVHBW
 (B)=4TNV98-AVHBW1
 (C)=

(D)=
 (E)=
 (F)=

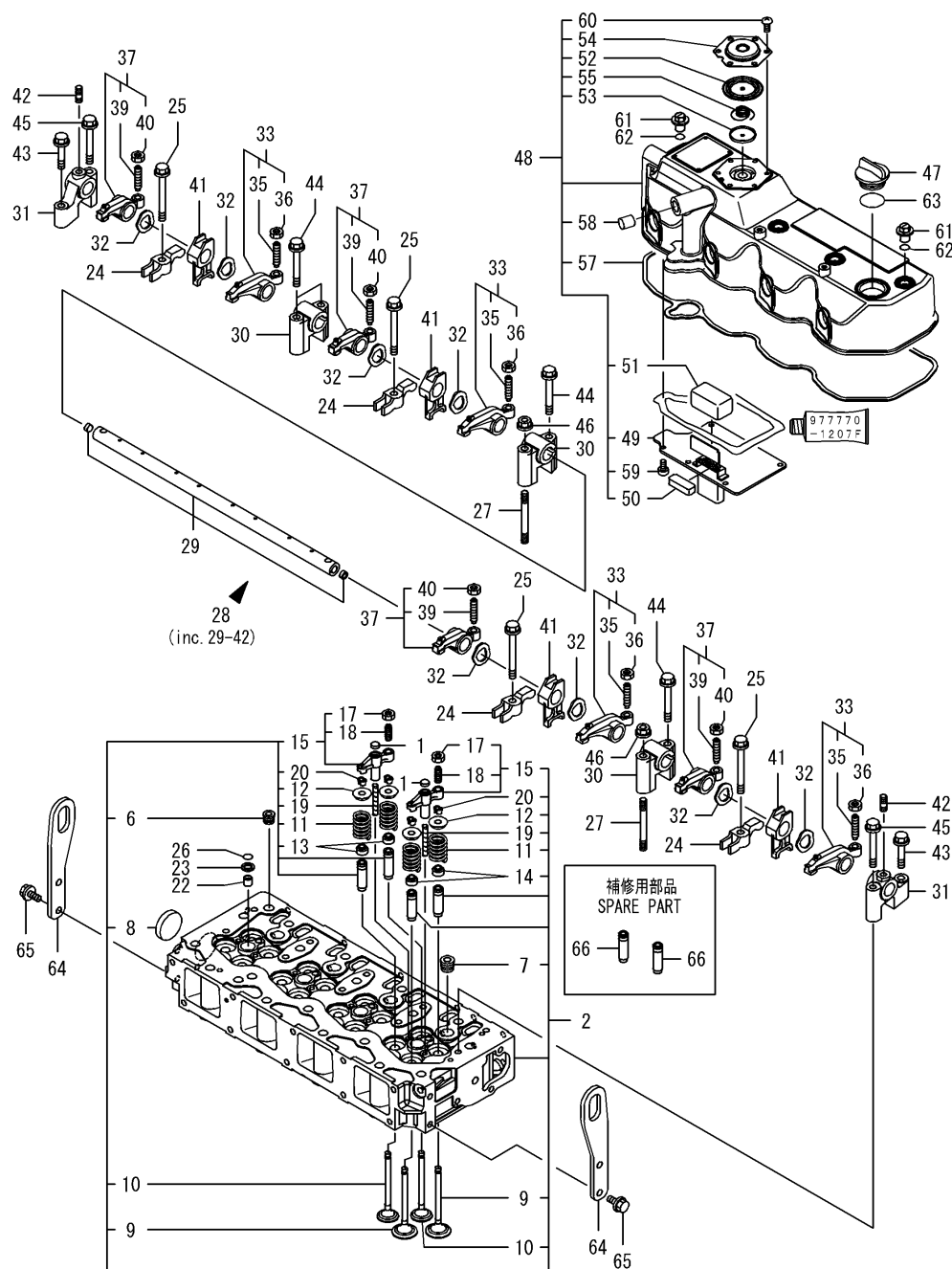
No.	Lev.	Parts No.	Description	QTY					
				(A)	(B)	(C)	(D)	(E)	(F)
1	1	129100-01580	PIN, 8X16	4	4				
3	1	129944-01500	CASE, GEAR	1	1				
4	1	129900-32001	PUMP ASSY, OIL	1	1				
15	1	26216-100302	STUD, M10X 30	4	4				
16	1	129900-32030	O-RING, P20	1	1				
17	1	129900-32040	O-RING, P14	1	1				
18	1	24311-000070	O-RING, 1AP7.0	1	1				
19	1	24351-030750	O-RING, 1A3075	1	1				
20	1	26106-080162	BOLT, M8X 16 PLATED	1	1				
21	1	26106-080202	BOLT, M8X 20 PLATED	3	3				
22	1	26106-080452	BOLT, M8X 45 PLATED	3	3				
23	1	26306-100002	NUT, M10	4	4				
24	1	124160-01751	COVER, FILLER	1	1				
25	1	24311-000320	O-RING, 1AP32.0	1	1				
26	1	129951-01740	COVER	1	1				
27	1	26106-080202	BOLT, M8X 20 PLATED	1	1				
28	1	26106-080452	BOLT, M8X 45 PLATED	5	5				
29	1	26106-080752	BOLT, M8X 75 PLATED	1	1				
30	1	729906-01550	COVER ASSY, GEAR CASE	1	1				
32	2	129916-01800	SEAL, OIL	1	1				
33	1	129900-01850	COVER ASSY, GEAR CASE	1	1				
34	2	129900-01870	SPONGE	1	1				
35	1	26106-080162	BOLT, M8X 16 PLATED	3	3				
36	1	26106-080402	BOLT, M8X 40 PLATED	5	5				
37	1	26106-080702	BOLT, M8X 70 PLATED	6	6				

Fig.3.FLYWHEEL HOUSING & OIL SUMP

(A)=4TNV98-AVHBW
(B)=4TNV98-AVHBW1
(C)=(D)=
(E)=
(F)=

No.	Lev.	Parts No.	Description	QTY					
				(A)	(B)	(C)	(D)	(E)	(F)
1	1	129100-01580	PIN, 8X16	2	2				
2	1	129900-01620	HOUSING, FLYWHEEL	1	1				
4	1	119620-01750	CAP	1	1				
5	1	26206-100352	BOLT, M10X 35 PLATED	9	9				
6	1	26206-100702	BOLT, M10X 70 PLATED	4	4				
7	1	129916-01790	SEAL, D115/95XT11	1	1				
8	1	119640-01640	PLUG, DRAIN M22	1	1				
		(A=EQ5318) (B=EQ5184)							
9	1	129E20-01700	OIL PAN ASSY	1	1				
9-1	1	129923-01700	OIL PAN ASSY	1	1				
		(A=EQ5318) (B=EQ5184)							
10	2	129E20-59500	HOSE ASSY	1	1				
		(A=EQ5318) (B=EQ5184)							
11	3	124766-59050	CLIP, HOSE 11.5	2	2				
		(A=EQ5318) (B=EQ5184)							
12A	2	129906-01640	COCK, DRAIN	1	1				
		(A=EQ5318) (B=EQ5184)							
12B	2	129E20-01700	OIL PAN ASSY	1	1				
		(A=EQ5318) (B=EQ5184)							
12C	3	129E20-59500	HOSE ASSY	1	1				
		(A=EQ5318) (B=EQ5184)							
12D	4	124766-59050	CLIP, HOSE 11.5	2	2				
		(A=EQ5318) (B=EQ5184)							
13	1	22190-220002	WASHER, SEAL 22	1	1				
		(A=EQ5318) (B=EQ5184)							
14	1	26106-080122	BOLT, M8X 12 PLATED	16	16				
15	1	129923-01650	CONNECTOR ASSY,DRAIN	1	1				
		(A=EQ5318) (B=EQ5184)							

Fig.4.CYLINDER HEAD & BONNET

(A)=4TNV98-AVHBW
(B)=4TNV98-AVHBW1
(C)=(D)=
(E)=
(F)=

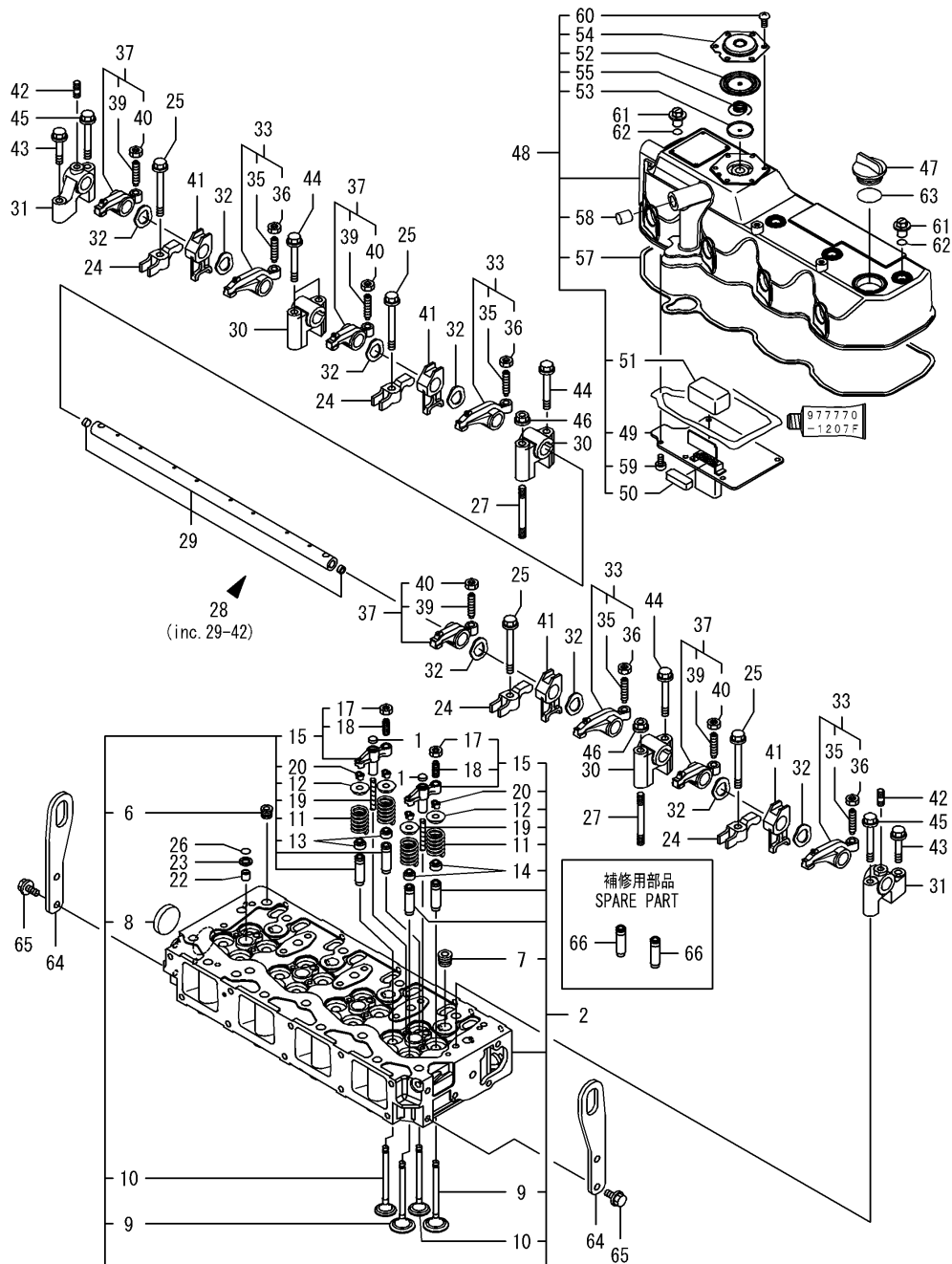
No.	Lev.	Parts No.	Description	QTY					
				(A)	(B)	(C)	(D)	(E)	(F)
1	1	123907-11550	SEAT, VALVE BRIDGE	8	8				
2	1	129927-11700	HEAD ASSY, CYLINDER	1	1				
6	2	23876-020000	PLUG, R02	1	1				
7	2	23876-030000	PLUG, R03	4	4				
8	2	27241-400000	PLUG, 40	1	1				
9	2	129907-11100	VALVE, INTAKE	8	8				
10	2	129907-11110	VALVE, EXHAUST	8	8				
11	2	129907-11120	SPRING, VALVE	16	16				
12	2	119620-11180	RETAINER, SPRING	16	16				
13	2	119803-11340	SEAL, VALVE STEM	8	8				
14	2	124160-11340	SEAL, VALVE STEM	8	8				
15	2	129907-11510	BRIDGE ASSY, VALVE	8	8				
17	3	129150-11750	NUT, M8	8	8				
18	3	123907-11830	ADJUSTER	8	8				
19	2	123907-11820	GUIDE	8	8				
20	2	27310-070001	COTTER, 7	16	16				
22	1	119802-11870	PROTECTOR, NOZZLE	4	4				
23	1	119625-11880	SEAT, NOZZLE	4	4				
24	1	129907-11910	RETAINER, NOZZLE	4	4				
25	1	129907-11950	BOLT, M8X75	4	4				
26	1	24311-000120	O-RING, 1AP12.0	4	4				
27	1	119593-11301	STUD, M8X80	2	2				
28	1	129907-11341	SHAFT ASSY, ROCKER	1	1				
29	2	129907-11250	SHAFT, ROCKER ARM	1	1				
30	2	129907-11260	SUPPORT, ROCKER ARM	3	3				
31	2	129907-11270	SUPPORT, ROCKER ARM	2	2				
32	2	123907-11280	WASHER	8	8				
33	2	129907-11650	ARM, ROCKER	4	4				
35	3	129150-11230	SCREW, VALVE ADJUST	4	4				
36	3	129150-11750	NUT, M8	4	4				
37	2	129907-11660	ARM, ROCKER	4	4				
39	3	129150-11230	SCREW, VALVE ADJUST	4	4				
40	3	129150-11750	NUT, M8	4	4				
41	2	129907-11920	RETAINER	4	4				
42	2	26226-080222	STUD, M8X 22	2	2				
43	1	26106-080402	BOLT, M8X 40 PLATED	2	2				
44	1	26106-080602	BOLT, M8X 60 PLATED	4	4				
45	1	26106-080602	BOLT, M8X 60 PLATED	2	2				
46	1	26306-080002	NUT, M8	2	2				
47	1	124160-01751	COVER, FILLER	1	1				
48	1	129907-11321	BONNET ASSY, HEAD	1	1				
49	2	129907-03011	PLATE	1	1				
50	2	129907-03061	BAFFLE, BREATHER	1	1				
51	2	129907-03070	BAFFLE, BREATHER	1	1				
52	2	123907-03100	DIAPHRAGM	1	1				
53	2	123907-03110	PLATE	1	1				
54	2	123907-03120	PLATE, BREATHER	1	1				
55	2	123907-03140	SPRING, DIAPHRAGM	1	1				
57	2	129933-11310	GASKET, BONNET	1	1				
58	2	119640-61400	PLUG	1	1				
59	2	22857-500100	SCREW, 5X10	6	6				

Remarks

(1) Spare parts

N:Old $\xrightarrow{\text{Yes}}$ New. Q:Old $\xrightarrow{\text{No}}$ New. R:Old $\xrightarrow{\text{Yes}}$ New. S:Old $\xrightarrow{\text{No}}$ New. W:Add. Z:Discontinued. F:Interchangeable by set. K:Qty Chan

Fig.4.CYLINDER HEAD & BONNET



(A)=4TNV98-AVHBW
 (B)=4TNV98-AVHBW1
 (C)=

(D)=
 (E)=
 (F)=

No.	Lev.	Parts No.	Description	QTY					
				(A)	(B)	(C)	(D)	(E)	(F)
60	2	22857-500100	SCREW, 5X10	6	6				
61	1	124160-11360	KNOB	4	4				
62	1	24311-000120	O-RING, 1AP12.0	4	4				
63	1	24311-000320	O-RING, 1AP32.0	1	1				
64	1	129907-07900	LIFTER	2	2				
65	1	26106-080162	BOLT, M8X 16 PLATED	4	4				
66	1	129907-11800	GUIDE, VALVE	16	16				

Remarks

(1) Spare parts

Fig.5.SUCTION MANIFOLD

(A)=4TNV98-AVHBW
 (B)=4TNV98-AVHBW1
 (C)=

(D)=
 (E)=
 (F)=

No.	Lev.	Parts No.	Description	QTY					
				(A)	(B)	(C)	(D)	(E)	(F)
1	1	129907-12110	GASKET, MANIFOLD	1	1				
2	1	129940-12150	MANIFOLD ASSY,INTAKE	1	1				
3	2	129927-12100	MANIFOLD, AIR INTAKE	1	1				
4	2	129940-12110	COVER, MANIFOLD	1	1				
5	2	129927-13920	GASKET	1	1				
6	2	26106-100202	BOLT, M10X 20 PLATED	2	2				
7	2	26216-060202	STUD, M6X 20	2	2				
8	1	26106-080452	BOLT, M8X 45 PLATED	6	6				
9	1	26106-080802	BOLT, M8X 80 PLATED	4	4				
10	1	119129-77020	GASKET	1	1				
11	1	121850-77021	GASKET	1	1				
12	1	119129-77500	HEATER	1	1				
13	1	119129-77520	BEND	1	1				
14	1	26106-080452	BOLT, M8X 45 PLATED	2	2				
15	1	26106-080952	BOLT, M8X 95 PLATED	2	2				

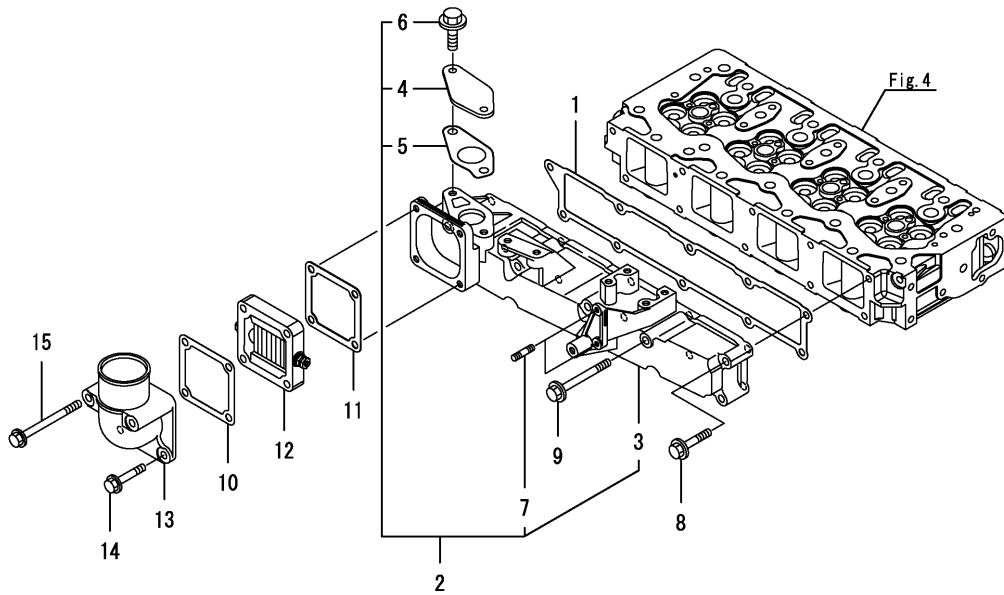
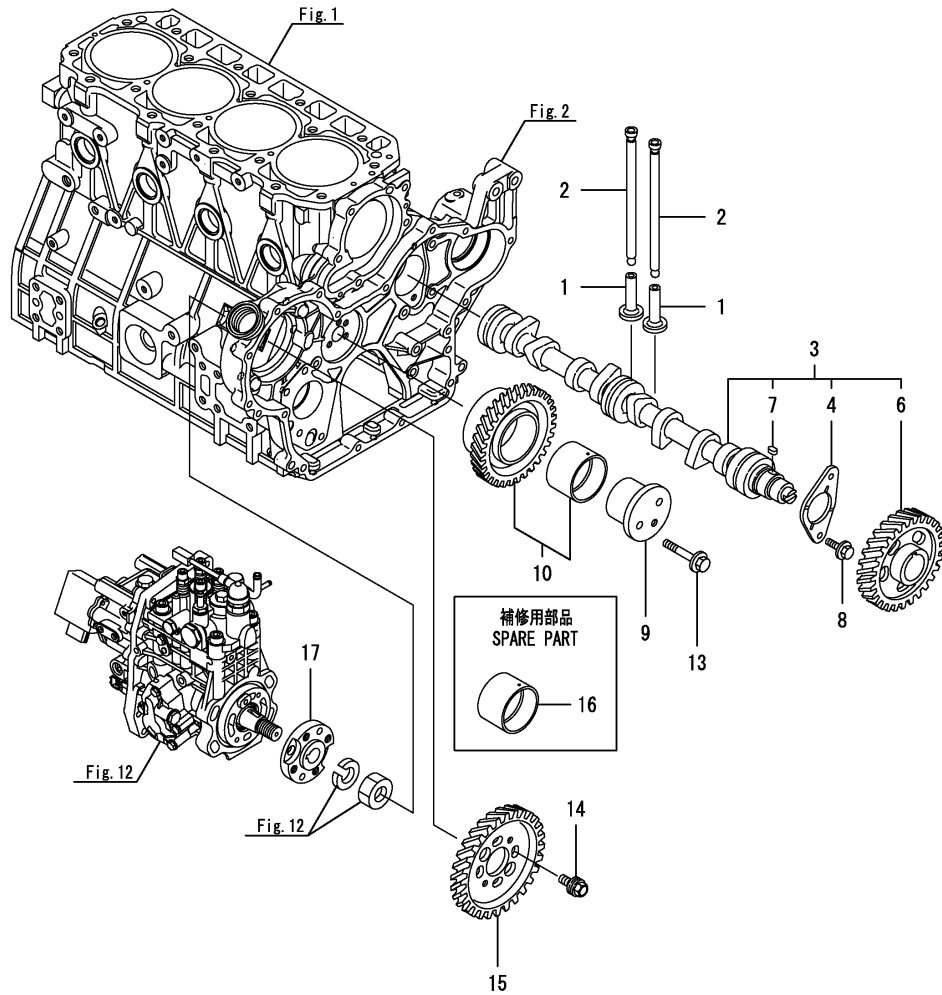


Fig.7.CAMSHAFT & DRIVING GEAR

(A)=4TNV98-AVHBW
 (B)=4TNV98-AVHBW1
 (C)=

(D)=
 (E)=
 (F)=

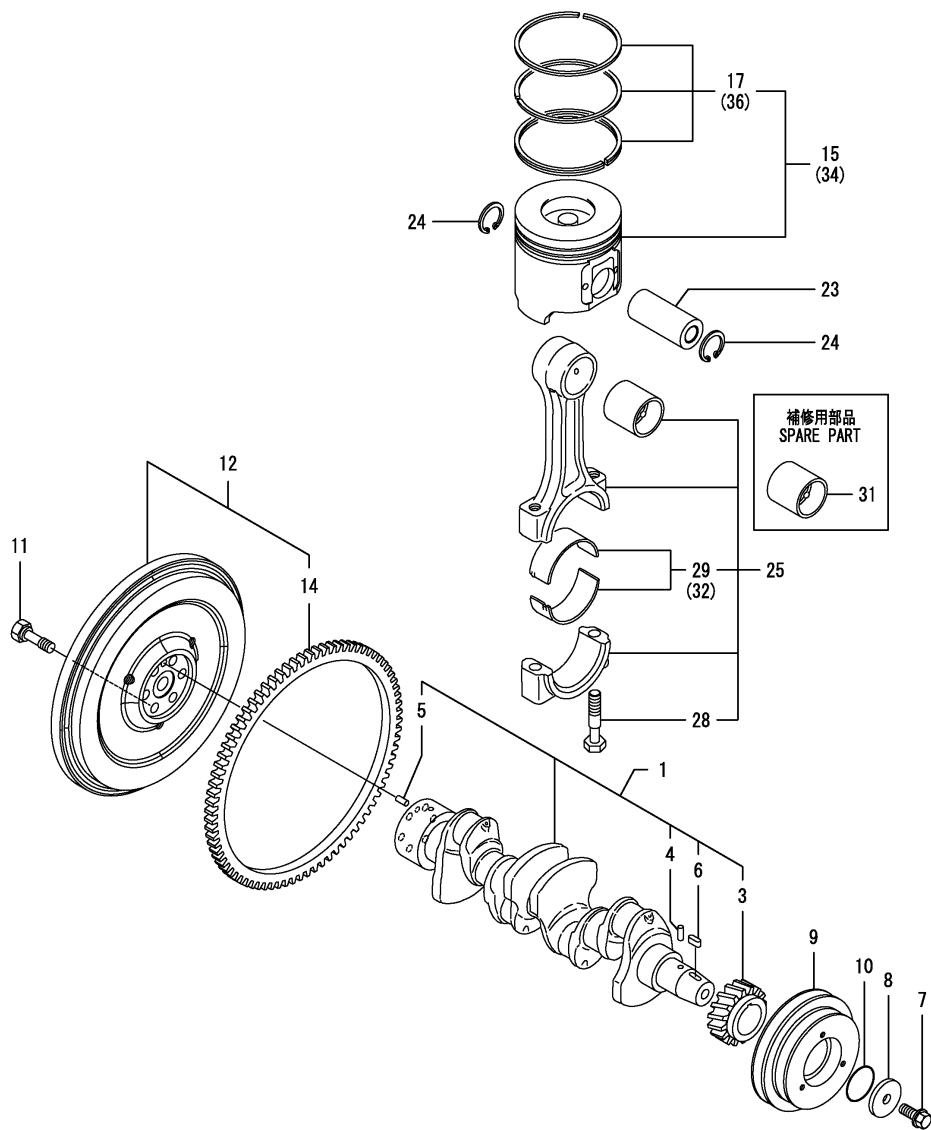
No.	Lev.	Parts No.	Description	QTY					
				(A)	(B)	(C)	(D)	(E)	(F)
1	1	129150-14200	TAPPET	8	8				
2	1	129907-14400	ROD, PUSH	8	8				
3	1	129908-14581	CAMSHAFT ASSY	1	1				
4	2	129150-02450	BEARING, THRUST	1	1				
6	2	129900-14100	GEAR, CAMSHAFT	1	1				
7	2	22512-070140	KEY, 7X 14	1	1				
8	1	26016-080142	BOLT, M8X 14	2	2				
9	1	123900-25060	SHAFT, IDLE GEAR	1	1				
10	1	129900-25100	GEAR ASSY, IDLE	1	1				
13	1	26106-080552	BOLT, M8X 55 PLATED	3	3				
14	1	129953-25300	BOLT	4	4				
15	1	129907-25900	GEAR, PUMP	1	1				
16	1	129150-25920	BUSH, IDLE GEAR	1	1				
17	1	158563-51150	FLANGE	1	1				



Remarks

(1) Spare parts

Fig.8.CRANKSHAFT & PISTON



(A)=4TNV98-AVHBW
 (B)=4TNV98-AVHBW1
 (C)=

(D)=
 (E)=
 (F)=

No.	Lev.	Parts No.	Description	QTY					
				(A)	(B)	(C)	(D)	(E)	(F)
1	1	129902-21000	CRANKSHAFT ASSY	1	1				
1-1	1	129908-21000	CRANKSHAFT ASSY	1	1				
		(A=EO3452) (B=EO1939)							
3	2	129900-21200	GEAR, CRANKSHAFT	1	1				
4	2	121850-21290	PIN	1	1				
5	2	121850-21920	PIN, PARALLEL 10X22	1	1				
6	2	22512-070140	KEY, 7X 14	1	1				
7	1	129916-21610	BOLT	1	1				
8	1	129960-21640	WASHER	1	1				
8-1	1	129960-21940	WASHER, V-PULLEY	1	1				
		(A=EO3452) (B=EO3441)							
9	1	129E20-21650	V-PULLEY	1	1				
10	1	24341-000530	O-RING, 1AS53.0	1	1				
10-1	1	129960-21930	PACKING, WASHER	1	1				
		(A=EO3452) (B=EO3441)							
11	1	121850-21130	BOLT, FLYWHEEL	6	6				
12	1	129929-21320	FLYWHEEL ASSY	1	1				
14	2	129900-21600	GEAR, RING	1	1				
15	1	129968-22080	PISTON ASSY	4	4				
17	2	129927-22050	RING SET, PISTON	4	4				
23	1	120130-22301	PIN, PISTON	4	4				
24	1	22252-000300	RING, 30	8	8				
25	1	129900-23001	ROD ASSY, CONNECTING	4	4				
28	2	129900-23200	BOLT, CONNECTING ROD	8	8				
29	2	129900-23601	BEARING, CRANK PIN	4	4				
31	1	129900-23911	BEARING, PISTON PIN	4	4				
32	1	129900-23611	BEARING, 0.25 US	4	4				
34	1	729968-22900	PISTON ASSY, 0.25 OS	4	4				
36	2	729927-22950	RING SET, 0.25 OS	4	4				

Remarks

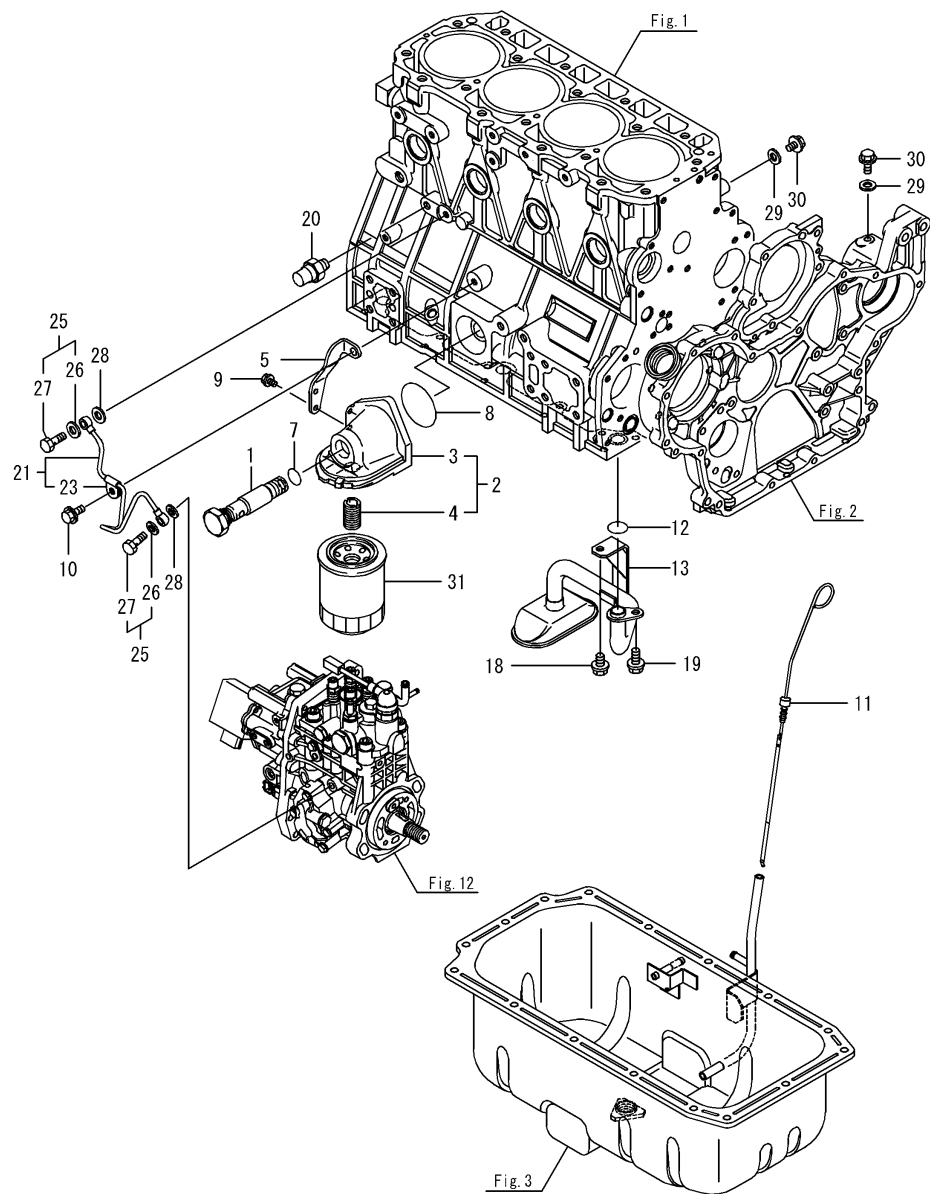
- (1) Spare parts.
- (2) Under-sized(U.S.=0.25) parts.
- (3) Over-sized(O.S.=0.25) parts.
- (4) Interchangeable by simultaneous replacement with No.8-1 & 10-1.

Fig.9.LUB. OIL SYSTEM

(A)=4TNV98-AVHBW
(B)=4TNV98-AVHBW1
(C)=

(D)=
(E)=
(F)=

No.	Lev.	Parts No.	Description	QTY					
				(A)	(B)	(C)	(D)	(E)	(F)
1	1	129956-33110	BOLT	1	1				
2	1	129E20-33110	BRACKET ASSY, FILTER	1	1				
3	2	129956-33101	BRACKET, COOLER	1	1				
4	2	129100-35140	STUD	1	1				
5	1	129957-33140	SUPPORT	1	1				
7	1	24314-000200	O-RING, 4CP20.0	1	1				
8	1	24321-000600	O-RING, 1AG60.0	1	1				
9	1	26106-060142	BOLT, M6X 14 PLATED	2	2				
10	1	26106-080142	BOLT, M8X 14 PLATED	1	1				
11	1	129E20-34860	DIPSTICK	1	1				
12	1	129900-32030	O-RING, P20	1	1				
13	1	129953-35000	PIPE ASSY, OIL INLET	1	1				
18	1	26106-080122	BOLT, M8X 12 PLATED	1	1				
19	1	26106-080162	BOLT, M8X 16 PLATED	1	1				
20	1	124298-39450	SWITCH	1	1				
21	1	129927-39060	PIPE ASSY, OIL	1	1				
23	2	123907-39500	RETAINER	1	1				
25	1	129005-59830	BOLT ASSY, JOINT M8	2	2				
26	2	22190-080002	WASHER, SEAL 8	2	2				
27	2	23857-030000	BOLT, JOINT 3	2	2				
28	1	22190-080002	WASHER, SEAL 8	2	2				
29	1	22190-080002	WASHER, SEAL 8	2	2				
30	1	26106-080122	BOLT, M8X 12 PLATED	2	2				
31	1	119005-35151	FILTER, D80X100L	1	1				



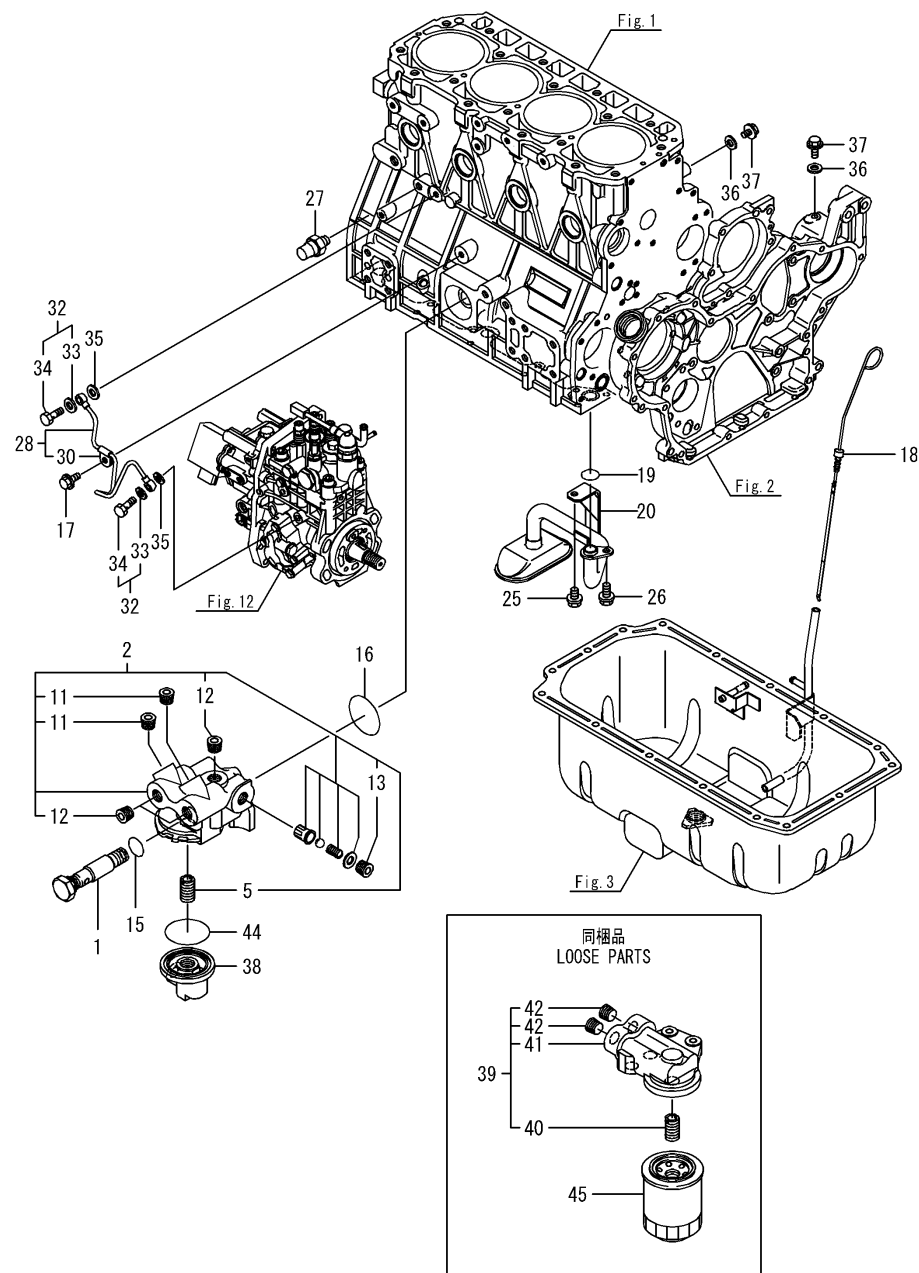
Remarks

(1)Spare parts.

* This figure is applicable to [(A)=EQ5317][(B)=EQ5183] or previous machines.

Refer to Fig.10.

Fig.10.LUB. OIL SYSTEM

(A)=4TNV98-AVHBW
(B)=4TNV98-AVHBW1
(C)=(D)=
(E)=
(F)=

No.	Lev.	Parts No.	Description	QTY						
				(A)	(B)	(C)	(D)	(E)	(F)	
1	1	129956-33110	BOLT	1	1					
2	1	129923-35110	BRACKET ASSY, FILTER	1	1					
2-1	1	129923-35111	BRACKET ASSY, FILTER	1	1					
(A=Q8805) (B=Q8816)										
5	2	129100-35140	STUD	1	1					
11	2	23875-040000	PLUG, R04	2	2					
12	2	23876-040000	PLUG, R04	3	3					
13	2	23876-060000	PLUG, R06	1	1					
15	1	24314-000200	O-RING, 4CP20.0	1	1					
16	1	24321-000600	O-RING, 1AG60.0	1	1					
17	1	26106-080122	BOLT, M8X 12 PLATED	1	1					
18	1	129E20-34860	DIPSTICK	1	1					
19	1	129900-32030	O-RING, P20	1	1					
20	1	129953-35000	PIPE ASSY, OIL INLET	1	1					
25	1	26106-080122	BOLT, M8X 12 PLATED	1	1					
26	1	26106-080162	BOLT, M8X 16 PLATED	1	1					
27	1	124298-39450	SWITCH	1	1					
28	1	129927-39060	PIPE ASSY, OIL	1	1					
30	2	123907-39500	RETAINER	1	1					
32	1	129005-59830	BOLT ASSY, JOINT M8	2	2					
33	2	22190-080002	WASHER, SEAL 8	2	2					
34	2	23857-030000	BOLT, JOINT 3	2	2					
35	1	22190-080002	WASHER, SEAL 8	2	2					
36	1	22190-080002	WASHER, SEAL 8	2	2					
37	1	26106-080122	BOLT, M8X 12 PLATED	2	2					
38	1	129238-35110	PLUG	1	1					
39	1	129923-35130	BRACKET ASSY, FILTER	1	1					
40	2	129100-35140	STUD	1	1					
41	2	129949-35140	BRACKET, FILTER	1	1					
42	2	23876-040000	PLUG, R04	2	2					
44	1	24321-000600	O-RING, 1AG60.0	1	1					
45	1	119005-35151	FILTER, D80X100L	1	1					

Remarks

(1)Spare parts.

* This figure is applicable to [(A)=EQ5318][(B)=EQ5184] or following machines.

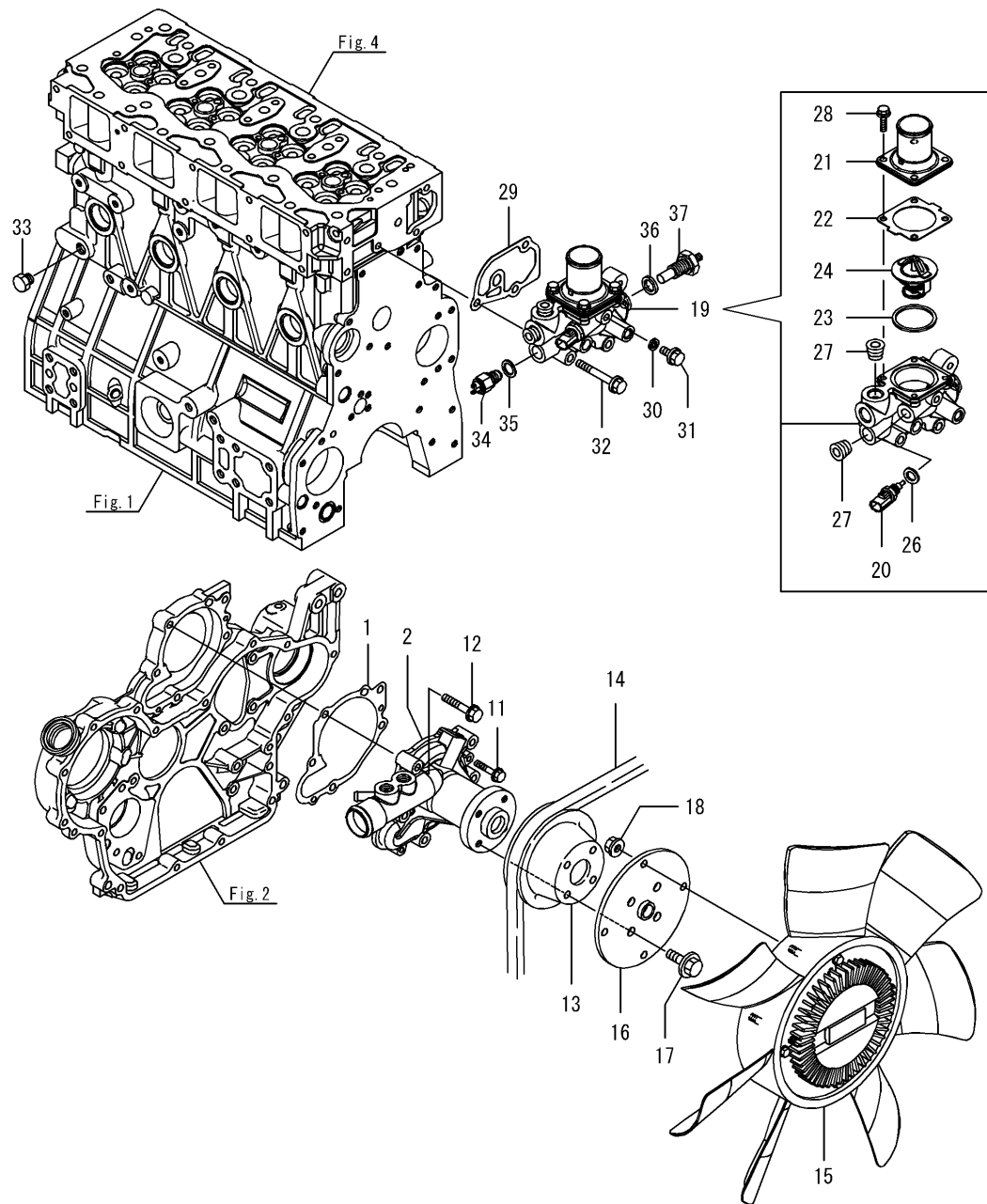
Refer to Fig.9.

N:Old $\xrightarrow{\text{Yes}}$ New. Q:Old $\xrightarrow{\text{No}}$ New. R:Old $\xrightarrow{\text{Yes}}$ New. S:Old $\xrightarrow{\text{No}}$ New. W:Add. Z:Discontinued. F:Interchangeable by set. K:Qty Chan

Fig.11.COOLING WATER SYSTEM

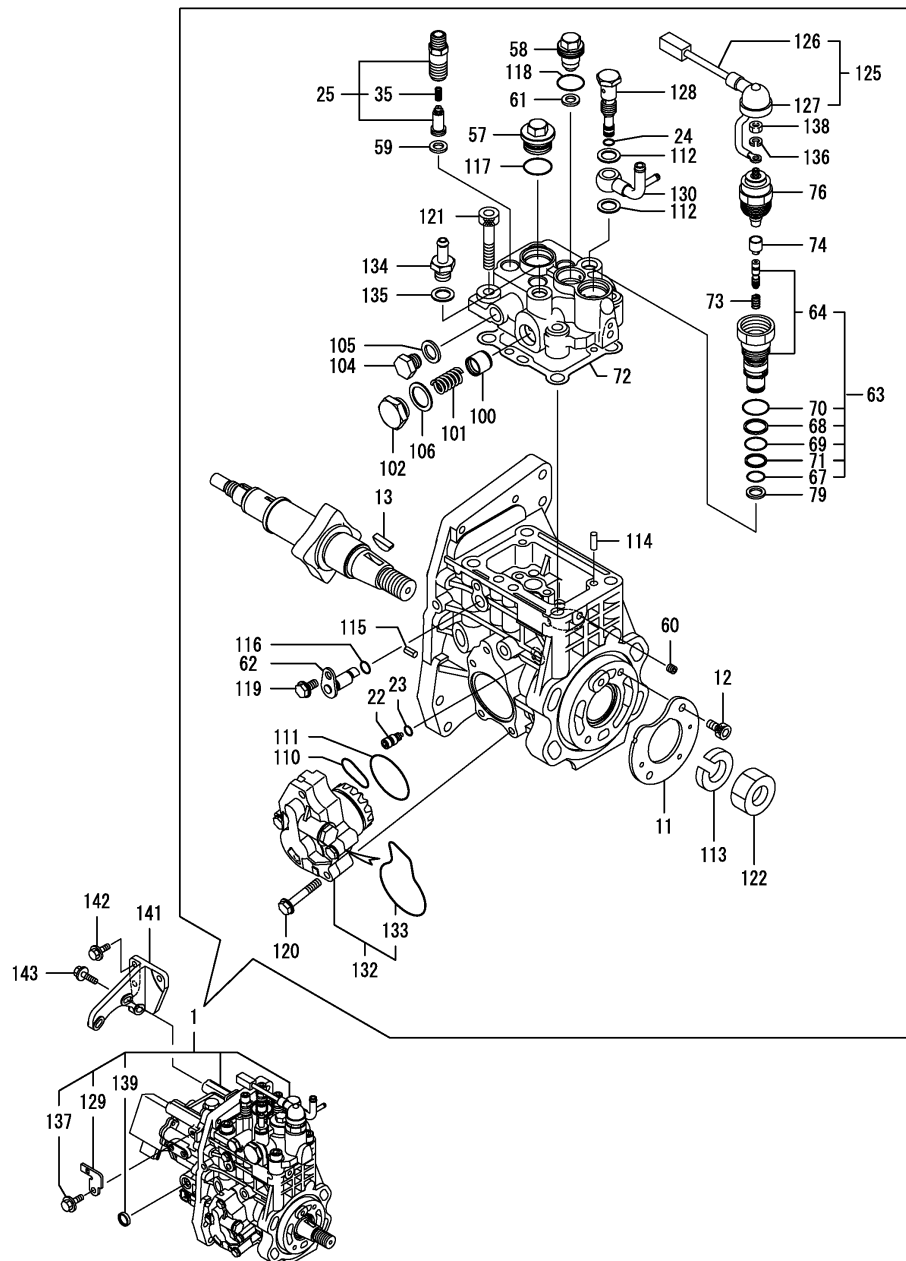
(A)=4TNV98-AVH BW
 (B)=4TNV98-AVH BW1
 (C)=

(D)=
 (E)=
 (F)=



No.	Lev.	Parts No.	Description	QTY					
				(A)	(B)	(C)	(D)	(E)	(F)
1	1	129900-42020	GASKET, WATER PUMP	1	1				
2	1	129932-42100	PUMP ASSY, CW LOW	1	1				
11	1	26106-060302	BOLT, M6X 30 PLATED	2	2				
12	1	26106-080552	BOLT, M8X 55 PLATED	5	5				
13	1	123900-42450	V-PULLEY	1	1				
14	1	129E20-42280	V-BELT, B47.0CH	1	1				
15	1	129C20-44120	FAN	1	1				
16	1	129E20-44730	SPACER, FAN	1					
16-1	1	129938-44760	SPACER, FAN	1	1				
(A=EN5065)									
17	1	26106-100252	BOLT, M10X 25 PLATED	4	4				
18	1	26306-080002	NUT, M8	4	4				
19	1	129927-49820	CASE ASSY,THERMOSTAT	1	1				
20	2	129927-44900	SENSOR	1	1				
21	2	129916-49530	COVER, THERMOSTAT	1	1				
22	2	121850-49540	GASKET, THERMOSTAT	1	1				
23	2	121850-49550	GASKET, THERMOSTAT	1	1				
24	2	121850-49811	THERMOSTAT,71	1	1				
26	2	22190-120002	WASHER, SEAL 12	1	1				
27	2	23875-030000	PLUG, R03	2	2				
28	2	26106-060202	BOLT, M6X 20 PLATED	4	4				
29	1	129900-49870	GASKET	1	1				
30	1	23414-080000	GASKET, 8X1.0	1	1				
31	1	26106-080122	BOLT, M8X 12 PLATED	1	1				
32	1	26106-080602	BOLT, M8X 60 PLATED	3	3				
33	1	171056-49120	PLUG, DRAIN	1	1				
34	1	121250-44901	SWITCH, 110	1	1				
35	1	124465-44950	GASKET, 16	1	1				
36	1	129150-49360	GASKET	1	1				
37	1	129242-49450	SENSOR	1	1				

Fig.12.FUEL INJECTION PUMP



OCD11-M17001 12.FUEL INJECTION PUMP

(A)=4TNV98-AVHBW
(B)=4TNV98-AVHBW1
(C)=(D)=
(E)=
(F)=

No.	Lev.	Parts No.	Description	QTY					
				(A)	(B)	(C)	(D)	(E)	(F)
1	1	729923-51300	FIE ASSY	1	1				
11	2	129928-51900	COVER	1	1				
12	2	129008-51920	BOLT, M6X10	2	2				
13	2	144626-51090	KEY, 5X19	1	1				
22	2	158600-51270	STOPPER, TAPPET	1	1				
23	2	158563-51281	O-RING, 4D S6	1	1				
24	2	158563-51281	O-RING, 4D S6	1	1				
25	2	129927-51390	VALVE ASSY, DELIVERY	4	4				
35	3	158563-51330	SPRING, DELIVERY	4	4				
57	2	158601-51550	PLUG	1	1				
58	2	129907-51560	PLUG, BARREL	1	1				
59	2	158552-51571	GASKET	4	4				
60	2	158557-51570	PLUG	1	1				
61	2	129906-51580	GASKET	1	1				
62	2	158552-51580	LIFTER	1	1				
63	2	129657-51590	TIMER SET	1	1				
64	3	129657-51600	TIMER ASSY	1	1				
67	3	158553-51670	O-RING, 1011	1	1				
68	3	119802-51680	RING, BACK UP	1	1				
69	3	119802-51690	O-RING	1	1				
70	3	24356-190200	O-RING, 4D19020	1	1				
71	3	24372-000150	RING, BACK UP T2P15	1	1				
72	2	158560-51600	GASKET	1	1				
73	2	119852-51630	SPRING, TIMER	1	1				
74	2	119852-51640	CAP	1	1				
76	2	119852-51650	VALVE ASSY	1	1				
79	2	158553-51680	GASKET	1	1				
100	2	158601-51770	PISTON	1	1				
101	2	158552-51781	SPRING	1	1				
102	2	158601-51790	PLUG	1	1				
104	2	158553-51930	PLUG, M12	1	1				
105	2	22190-120002	WASHER, SEAL 12	1	1				
106	2	22190-180002	WASHER, SEAL 18	1	1				
110	2	158552-52311	O-RING	1	1				
111	2	158552-52400	O-RING, 4E S42	1	1				
112	2	22190-120002	WASHER, SEAL 12	2	2				
113	2	22217-180000	WASHER, SPRING 18	1	1				
114	2	22312-050140	PIN, PARALLEL 5X14	2	2				
115	2	22351-050010	PIN, SPRING 5.0X10	2	2				
116	2	24311-000070	O-RING, 1AP7.0	1	1				
117	2	24356-190200	O-RING, 4D19020	1	1				
118	2	24356-240210	O-RING, 4D24021	1	1				
119	2	26106-060102	BOLT, M6X 10 PLATED	1	1				
120	2	26106-060352	BOLT, M6X 35 PLATED	4	4				
121	2	26450-100452	BOLT, M10X 45	4	4				
122	2	26776-180002	NUT, LOCK M18	1	1				
125	2	129927-51650	HARNESS ASSY, WIRE	1	1				
126	3	129927-51660	HARNESS	1	1				
127	3	129263-77941	CAP, RUBBER	1	1				
128	2	158601-51650	JOINT, OVER FLOW	1	1				
129	2	129927-51670	BRACKET	1	1				

Remarks

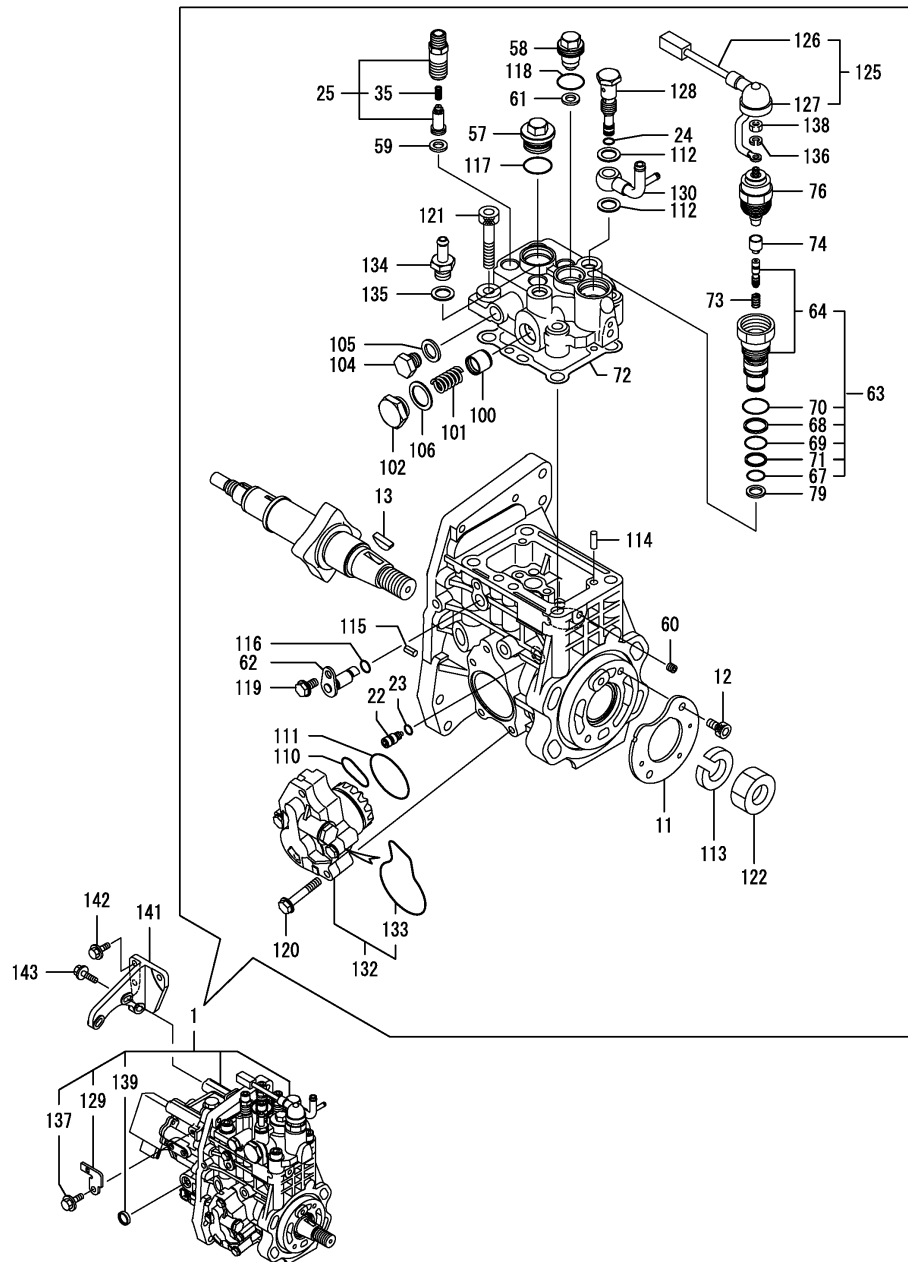
(1)Governor(Fig.13) is incorporated in this Fuel Injection Pump(No.1).

(1)Eco pump

Make sure to update the engines ECU information when replacing the Eco pump.

Failing to do so will result in engine malfunction.

Fig.12.FUEL INJECTION PUMP



(A)=4TNV98-AVH BW
 (B)=4TNV98-AVH BW1
 (C)=

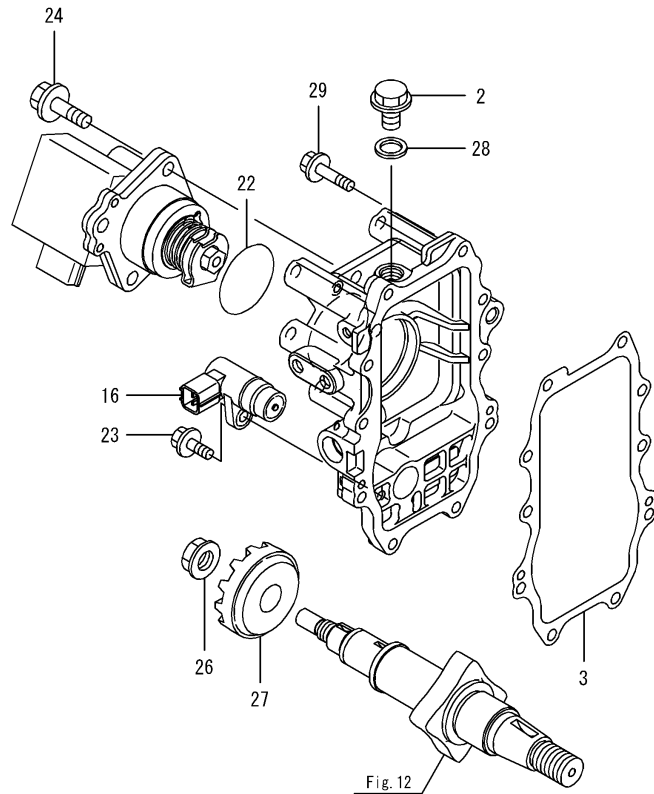
(D)=
 (E)=
 (F)=

No.	Lev.	Parts No.	Description	QTY					
				(A)	(B)	(C)	(D)	(E)	(F)
130	2	158552-51670	JOINT, OVER FLOW	1	1				
132	2	158552-52100	PUMP ASSY, FUEL FEED	1	1				
133	3	158552-52500	O-RING	1	1				
134	2	119934-59910	JOINT, PIPE	1	1				
135	2	22190-120002	WASHER, SEAL 12	1	1				
136	2	22217-050000	WASHER, SPRING 5	1	1				
137	2	26106-060122	BOLT, M6X 12 PLATED	1	1				
138	2	26716-050002	NUT, M5	1	1				
139	2	27241-160000	PLUG, 16	1	1				
141	1	129927-51250	RETAINER, PUMP	1	1				
142	1	26106-080202	BOLT, M8X 20 PLATED	3	3				
143	1	26106-080302	BOLT, M8X 30 PLATED	3	3				

Remarks

(1)Governor(Fig.13) is incorporated in this Fuel Injection Pump(No.1).
 (1)Eco pump
 Make sure to update the engines ECU information when replacing the Eco pump.
 Failing to do so will result in engine malfunction.

Fig.13.GOVERNOR



(A)=4TNV98-AVHBW
 (B)=4TNV98-AVHBW1
 (C)=

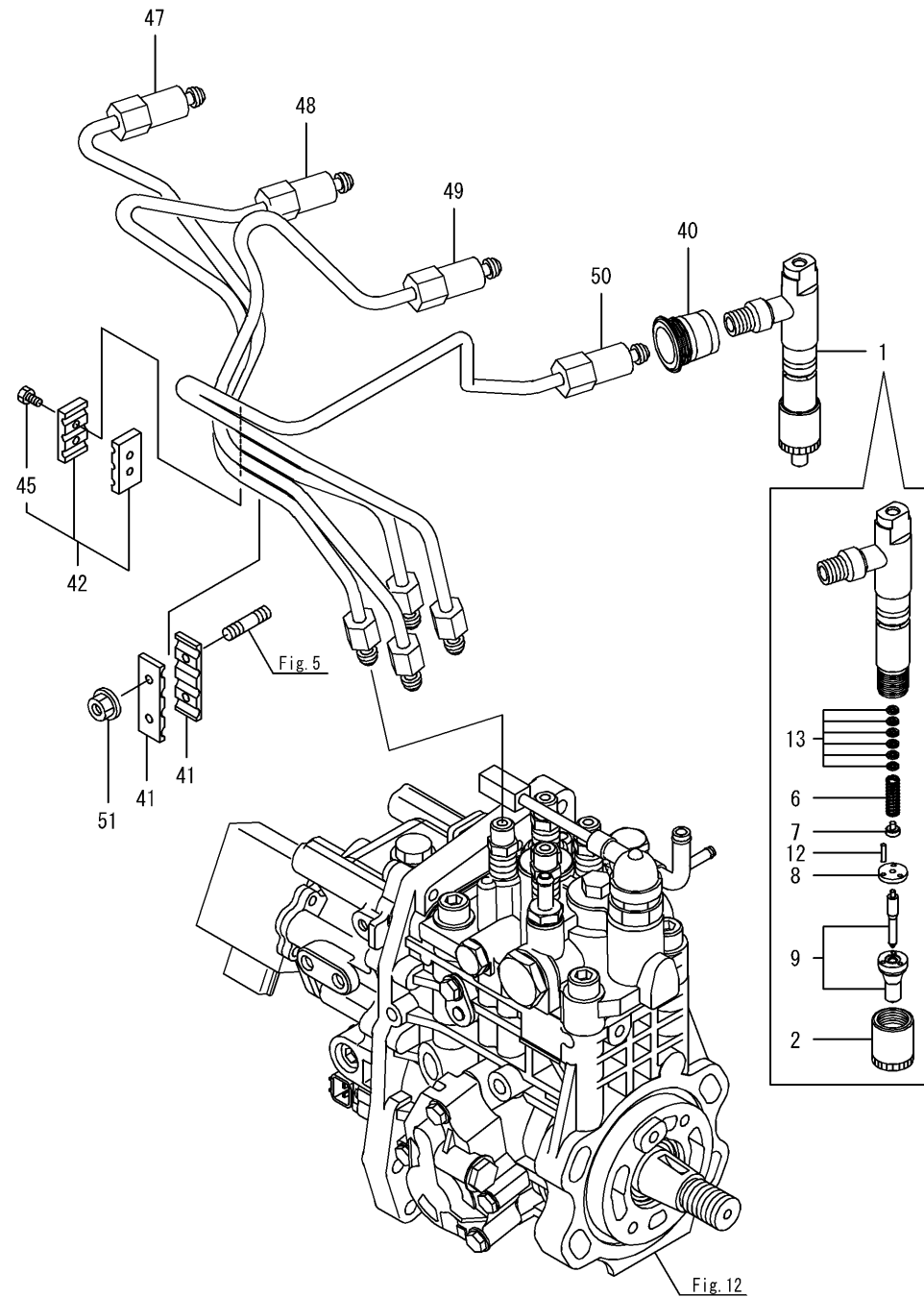
(D)=
 (E)=
 (F)=

No.	Lev.	Parts No.	Description	QTY					
				(A)	(B)	(C)	(D)	(E)	(F)
2	2	158553-51930	PLUG, M12	1	1				
3	2	158560-61050	GASKET	1	1				
16	2	158557-61720	SENSOR	1	1				
22	2	24341-000480	O-RING, 1AS48.0	1	1				
23	2	26106-060162	BOLT, M6X 16 PLATED	1	1				
24	2	26106-080252	BOLT, M8X 25 PLATED	3	3				
26	2	129008-61301	NUT	1	1				
27	2	158553-61780	GEAR, SENSOR	1	1				
28	2	22190-120002	WASHER, SEAL 12	1	1				
29	2	26106-060252	BOLT, M6X 25 PLATED	10	10				

Remarks

* This figure (Governor) is incorporated in the Fuel Injection Pump (Fig. 12)

Fig.14.FUEL INJECTION VALVE

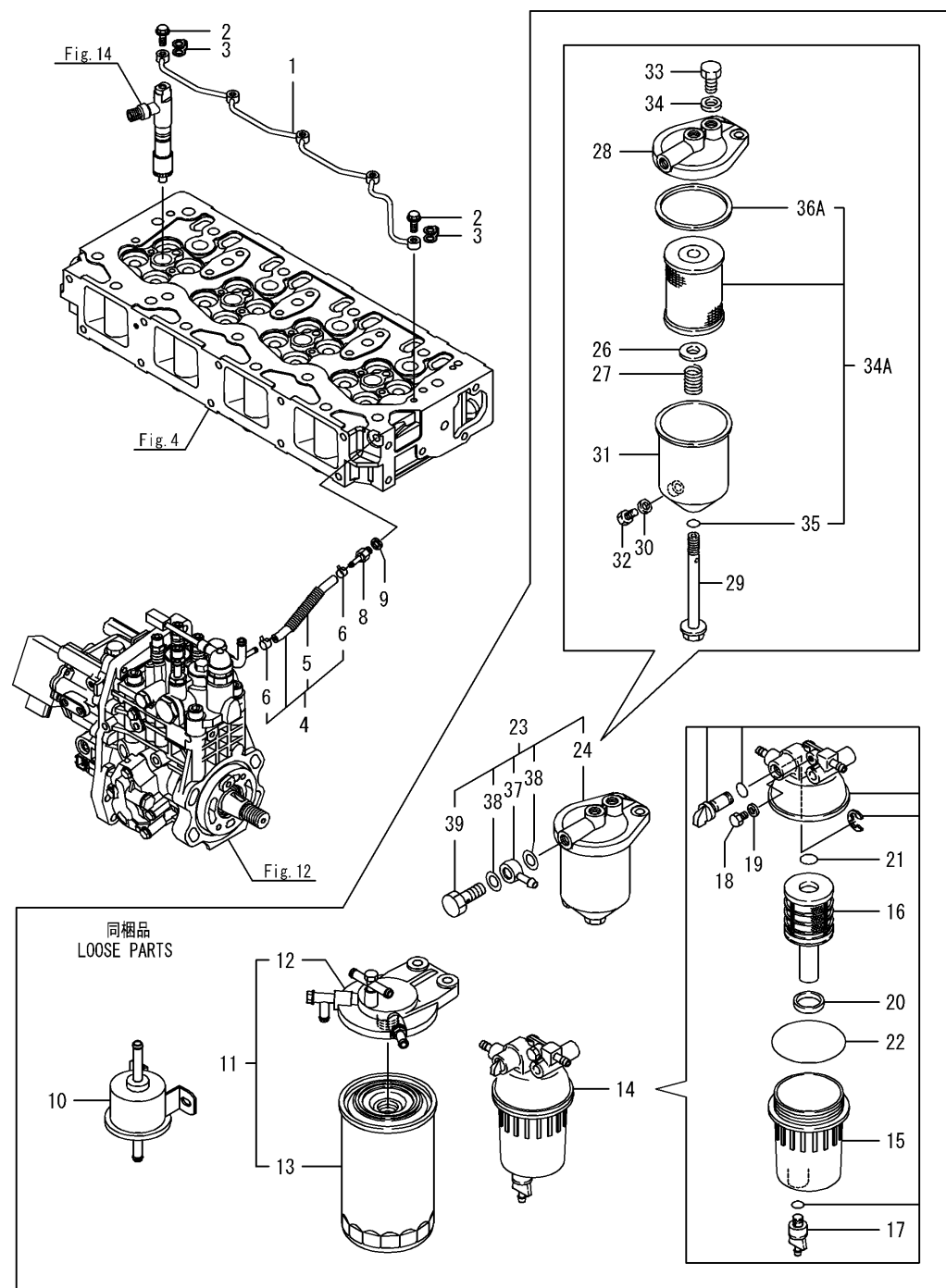


(A)=4TNV98-AVHBW
(B)=4TNV98-AVHBW1
(C)=

(D)=
(E)=
(F)=

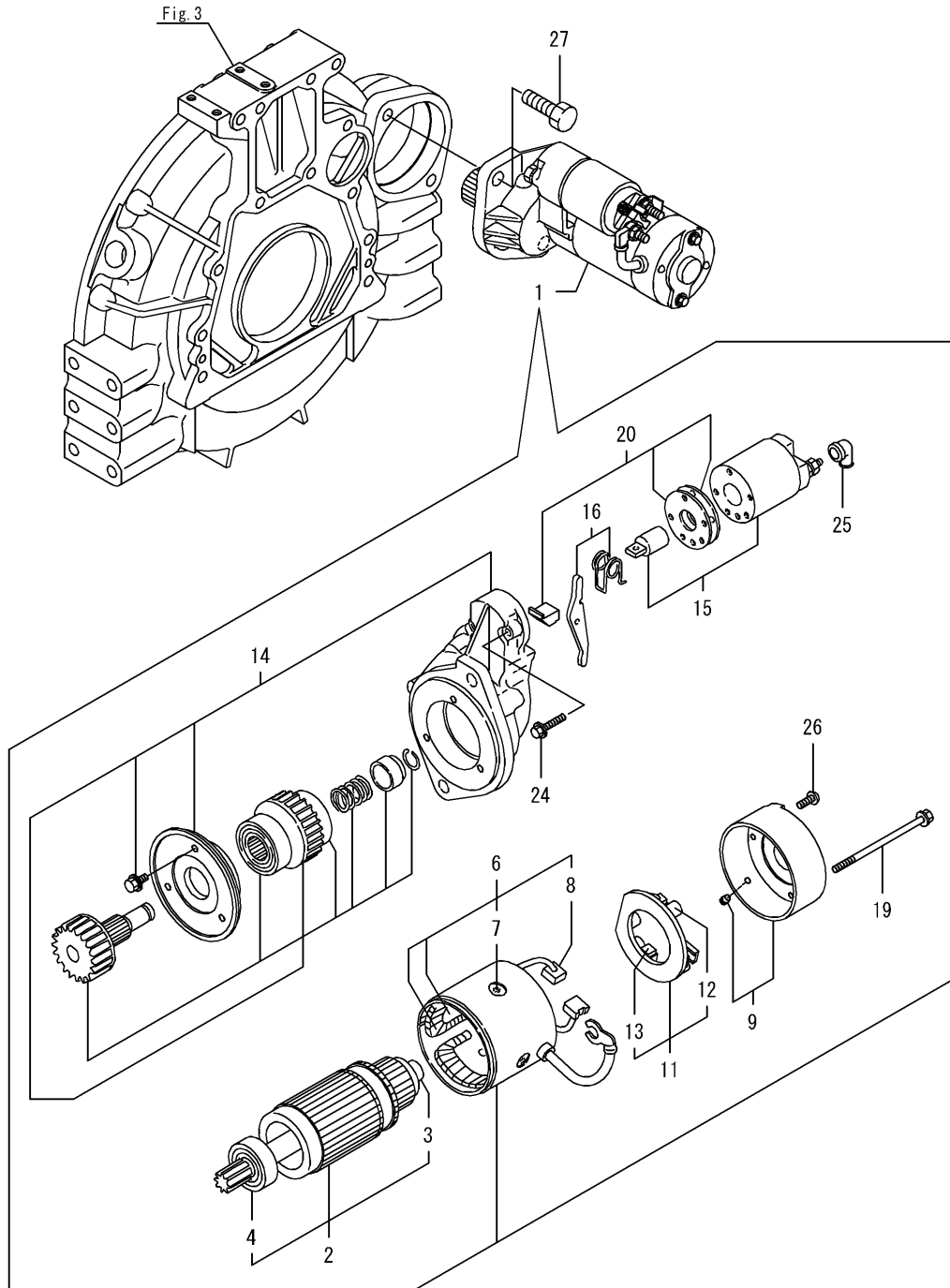
No.	Lev.	Parts No.	Description	QTY					
				(A)	(B)	(C)	(D)	(E)	(F)
1	1	729927-53200	VALVE ASSY,INJECTION	4	4				
2	2	114250-53080	NUT, NOZZLE D16.95	4	4				
6	2	114250-53120	SPRING, NOZZLE	4	4				
7	2	114250-53130	SEAT, SPRING	4	4				
8	2	114250-53140	PLATE	4	4				
9	2	129927-53200	VALVE ASSY,INJECTION	4	4				
12	2	114250-53210	PIN	8	8				
13	2	119803-53400	SHIM SET	4	4				
40	1	123907-11601	SEAL	4	4				
41	1	123472-59120	RETAINER, PIPE	2	2				
42	1	129150-59120	RETAINER, PIPE	1	1				
45	2	129150-59131	BOLT, M4X14	2	2				
47	1	129927-59810	PIPE ASSY, INJECTION	1	1				
48	1	129927-59820	PIPE ASSY, INJECTION	1	1				
49	1	129927-59830	PIPE ASSY, INJECTION	1	1				
50	1	129927-59840	PIPE ASSY, INJECTION	1	1				
51	1	26366-060002	NUT, M6	2	2				

Fig.15.FUEL PIPING

(A)=4TNV98-AVHBW
(B)=4TNV98-AVHBW1
(C)=(D)=
(E)=
(F)=

No.	Lev.	Parts No.	Description	QTY					
				(A)	(B)	(C)	(D)	(E)	(F)
1	1	129907-59140	PIPE ASSY, RETURN	1	1				
2	1	123907-59540	BOLT, PIPE JOINT M6	5	5				
3	1	123907-59550	GASKET	5	5				
4	1	129927-59550	PIPE ASSY, RETURN	1	1				
5	2	129263-49750	TUBE, CORRUGATED	1	1				
6	2	124722-59050	CLIP, HOSE 9	2	2				
8	1	123907-59560	JOINT	1	1				
9	1	22190-080002	WASHER, SEAL 8	1	1				
10	1	129907-52100	PUMP ASSY, FUEL FEED	1	1				
11	1	129940-55610	FILTER ASSY, FUEL	1	1				
12	2	129004-55612	BRACKET, FILTER	1	1				
13	2	129907-55801	FILTER, FUEL	1	1				
14	1	129938-55701	SEPARATOR ASSY	1	1				
15	2	129938-55720	CUP	1	1				
16	2	129242-55730	ELEMENT	1	1				
17	2	129242-55740	PLUG, DRAIN	1	1				
18	2	129242-55750	VALVE, AIR VENT	1	1				
19	2	129242-55760	GASKET	1	1				
20	2	129242-55770	FLOAT	1	1				
21	2	24311-000160	O-RING, 1AP16.0	1	1				
22	2	24321-000750	O-RING, 1AG75.0	1	1				
23	1	129938-55750	SEPARATOR ASSY, WATER	1	1				
24	2	129065-55750	SEPARATOR ASSY	1	1				
26	3	123325-35160	WASHER	1	1				
27	3	123325-35170	SPRING	1	1				
28	3	129495-55610	BODY, STRAINER	1	1				
29	3	129495-55620	BOLT	1	1				
30	3	123672-55760	GASKET	1	1				
31	3	129065-55760	CASE	1	1				
32	3	129065-55770	PLUG, DRAIN M8	1	1				
33	3	129065-55800	PLUG, M14	1	1				
34	3	123678-55890	GASKET	1	1				
34A	3	41650-502320	ELEMENT ASSY(D72XL90)	1	1				
35	4	24311-000120	O-RING, 1AP12.0	1	1				
36A	4	123325-35140	GASKET	1	1				
37	2	121750-59910	JOINT	2	2				
38	2	22190-140002	WASHER, SEAL 14	4	4				
39	2	23857-080000	BOLT, JOINT 8	2	2				

Fig.16.STARTING MOTOR



(A)=4TNV98-AVHBW
 (B)=4TNV98-AVHBW1
 (C)=

(D)=
 (E)=
 (F)=

No.	Lev.	Parts No.	Description	QTY					
				(A)	(B)	(C)	(D)	(E)	(F)
1	1	119131-77011	STARTER, MOTOR	1	1				
2	2	119131-77400	ARMATURE ASSY	1	1				
3	3	171008-77410	BEARING, BALL	1	1				
4	3	119131-77420	BALL BEARING	1	1				
6	2	119131-77440	COIL ASSY, FIELD	1	1				
7	3	119260-77070	SCREW, CORE	4	4				
8	3	119131-77450	BRUSH (+)	2	2				
9	2	119131-77460	COVER ASSY, REAR	1	1				
11	2	119131-77480	HOLDER ASSY, BRUSH	1	1				
12	3	119131-77490	SPRING, BRUSH	4	4				
13	3	119131-77500	BRUSH (-)	2	2				
14	2	119131-77510	PINION	1	1				
15	2	119131-77590	SWITCH, MAGNETIC	1	1				
16	2	119131-77620	LEVER SET, SHIFT	1	1				
19	2	129400-77640	BOLT, THROUGH	2	2				
20	2	119131-77650	COVER SET, DUST	1	1				
24	2	119131-77690	BOLT M 6X 37 PLATED	2	2				
25	2	121254-77810	COVER, TERMINAL	1	1				
26	2	26557-040102	SCREW, M4X10	2	2				
27	1	26116-120252	BOLT, M12X 25 PLATED	2	2				

(A)=4TNV98-AVHBW
(B)=4TNV98-AVHBW1
(C)=(D)=
(E)=
(F)=

No.	Lev.	Parts No.	Description	QTY						
				(A)	(B)	(C)	(D)	(E)	(F)	
1	1	129E20-77200	ALTERNATOR	1	1					
1A	2	129E20-77710	NUT, HEX	1	1					
1B	2	129E20-77720	PULLEY	1	1					
1C	2	129E20-77730	SPACER	1	1					
1D	2	129E20-77740	SEAL	1	1					
1E	2	129E20-77750	BOLT, THROUGH	4	4					
1F	2	129E20-77760	REGULATOR ASSY	1	1					
1G	2	129E20-77770	SCREW, EXTENSION	1	1					
1H	2	129E20-77780	BOLT	2	2					
1J	2	129E20-77790	RECTIFIER ASSY	1	1					
1K	2	129E20-77810	SCREW	2	2					
1L	2	129E20-77820	COVER	1	1					
1M	2	129E20-77830	NUT	2	2					
1N	2	129E20-77840	NUT, FLANGE	1	1					
2	1	129470-77340	PIECE, DISTANCE	1	1					
3	1	22137-100000	WASHER, 10	1	1					
4	1	26116-101302	BOLT, M10X130 PLATED	1	1					
5	1	26306-100002	NUT, M10	1	1					
6	1	129E20-77300	ADJUSTER, BELT	1	1					
7	1	129E20-77340	PIECE, DISTANCE	1	1					
8	1	119624-77351	BLOCK ASSY, ADJUSTER	1	1					
10	2	26106-081004	BOLT, M8X100 PLATED	1	1					
11	2	26306-080002	NUT, M8	1	1					
12	1	26106-080452	BOLT, M8X 45 PLATED	2	2					
13	1	198461-52950	RELAY, CA TYPE C	1	1					
14	1	129927-77900	RELAY	3	3					
15	1	129927-77950	CONVERTER, DC-DC	1	1					
16	1	129927-77980	RELAY, 24V	3	3					

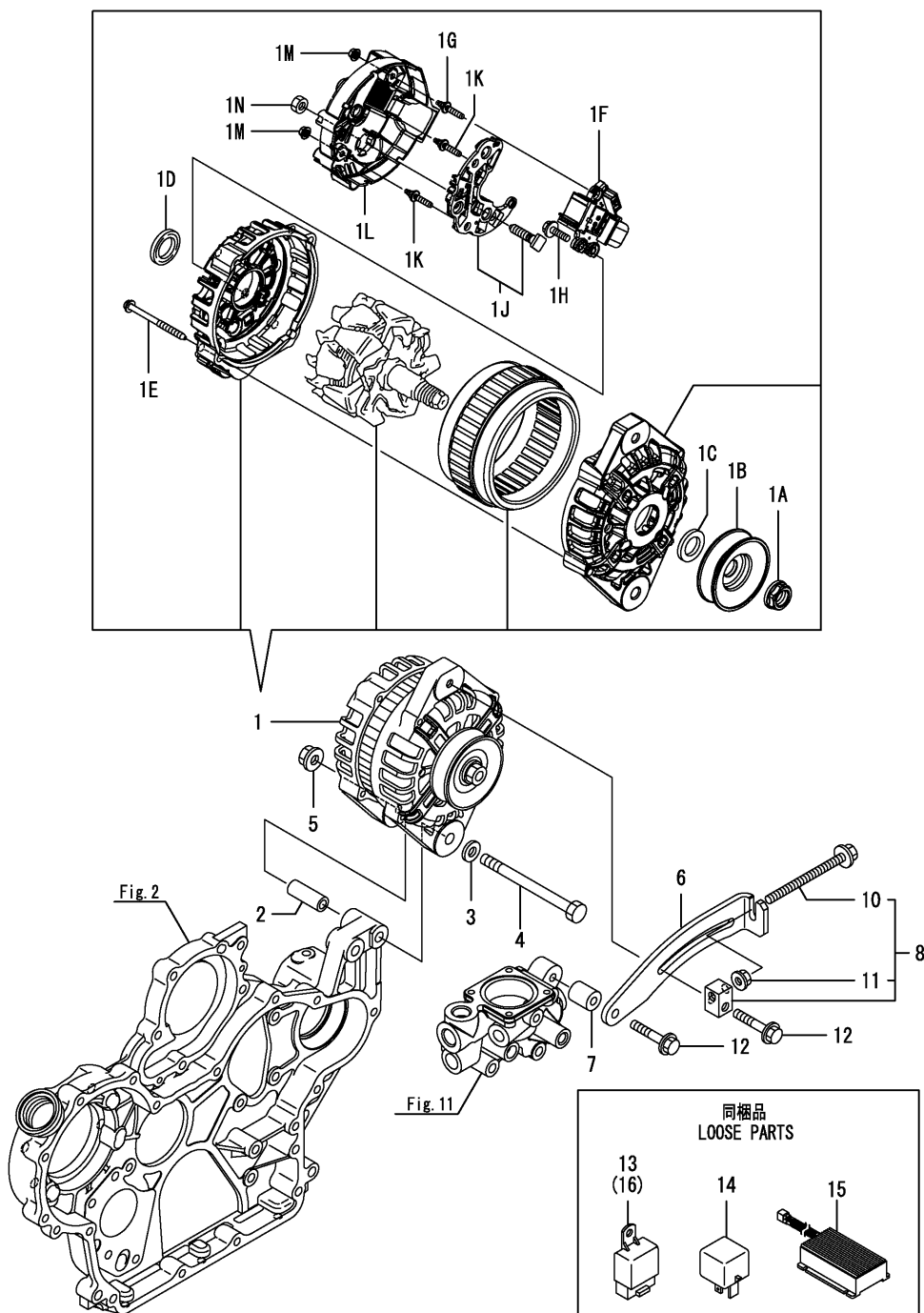
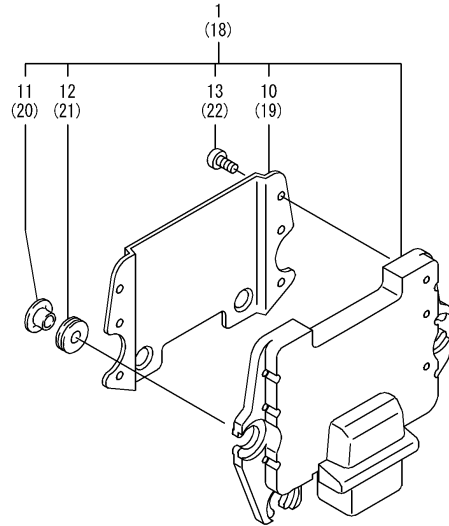


Fig.18.ELECTRONIC CONTROL UNIT(ECU)



0CD11-M17001 18.ELECTRONIC CONTROL UNIT(ECU)

(A)=4TNV98-AVHBW
 (B)=4TNV98-AVHBW1
 (C)=

(D)=
 (E)=
 (F)=

No.	Lev.	Parts No.	Description	QTY					
				(A)	(B)	(C)	(D)	(E)	(F)
1	1	129923-75100	ECU ASSY,498-AVHBW	1					
10	2	129927-77600	SHIELD	1	1				
11	2	129927-77680	COLLAR	3	3				
12	2	119578-91351	ABSORBER	3	3				
13	2	22877-500080	SCREW, 5X 8	6	6				
18	1	129927-75900	CONTROLLER ASSY, EUC	1	1				
19	2	129927-77600	SHIELD	1	1				
20	2	129927-77680	COLLAR	3	3				
21	2	119578-91351	ABSORBER	3	3				
22	2	22877-500080	SCREW, 5X 8	6	6				

Remarks

(1)Eco ECU

This part cannot be ordered.

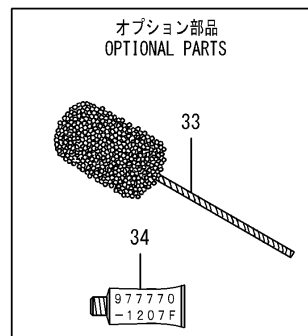
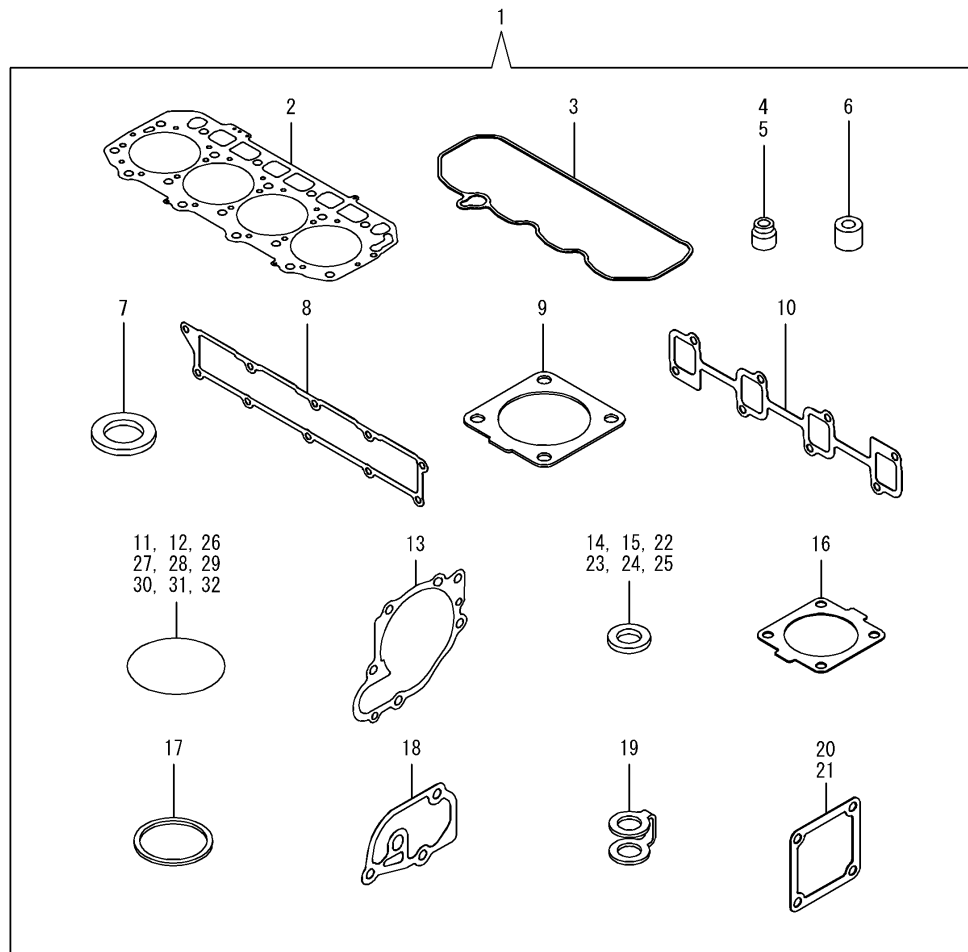
Replace the part using a Service ECU with the proper engine information installed.

(2)Service ECU

If the proper information is not installed, the engine will not operate.

To install proper information, go to an authorized distributor.

Fig.19.GASKET SET



OCD11-M17001 19.GASKET SET

(A)=4TNV98-AVHBW
(B)=4TNV98-AVHBW1
(C)=(D)=
(E)=
(F)=

No.	Lev.	Parts No.	Description	QTY					
				(A)	(B)	(C)	(D)	(E)	(F)
1	1	129923-92600	GASKET SET	1	1				
2	2	129907-01331	GASKET, HEAD	1	1				
3	2	129933-11310	GASKET, BONNET	1	1				
4	2	119803-11340	SEAL, VALVE STEM	8	8				
5	2	124160-11340	SEAL, VALVE STEM	8	8				
6	2	119802-11870	PROTECTOR, NOZZLE	4	4				
7	2	119625-11880	SEAT, NOZZLE	4	4				
8	2	129907-12110	GASKET, MANIFOLD	1	1				
9	2	129930-13201	GASKET, SILENCER	1	1				
10	2	129900-13251	GASKET	1	1				
11	2	129900-32030	O-RING, P20	2	2				
12	2	129900-32040	O-RING, P14	1	1				
13	2	129900-42020	GASKET, WATER PUMP	1	1				
14	2	124465-44950	GASKET, 16	1	1				
15	2	129150-49360	GASKET	1	1				
16	2	121850-49540	GASKET, THERMOSTAT	1	1				
17	2	121850-49550	GASKET, THERMOSTAT	1	1				
18	2	129900-49870	GASKET	1	1				
19	2	123907-59550	GASKET	5	5				
20	2	119129-77020	GASKET	1	1				
21	2	121850-77021	GASKET	1	1				
22	2	22190-080002	WASHER, SEAL 8	7	7				
23	2	22190-120002	WASHER, SEAL 12	1	1				
24	2	22190-220002	WASHER, SEAL 22	1	1				
25	2	23414-080000	GASKET, 8X1.0	1	1				
26	2	24311-000070	O-RING, 1AP7.0	1	1				
27	2	24311-000120	O-RING, 1AP12.0	8	8				
28	2	24311-000320	O-RING, 1AP32.0	2	2				
29	2	24314-000200	O-RING, 4CP20.0	1	1				
30	2	24321-000600	O-RING, 1AG60.0	2	2				
31	2	24341-000530	O-RING, 1AS53.0	1	1				
32	2	24351-030750	O-RING, 1A3075	1	1				
33	1	129400-92450	HONE	1	1				
34	1	977770-1207F	GASKET.LIQUID	1	1				

Remarks

(1)Optional parts

N:Old $\xrightarrow{\text{Yes}}$ New. Q:Old $\xrightarrow{\text{No}}$ New. R:Old $\xrightarrow{\text{Yes}}$ New. S:Old $\xrightarrow{\text{No}}$ New. W:Add. Z:Discontinued. F:Interchangeable by set. K:Qty Chan